



Quick Guide



售后客服

mBooster Active Pedal



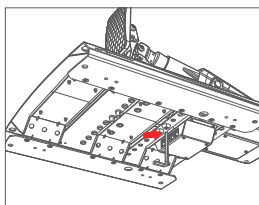
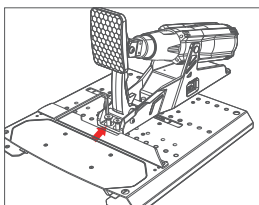
01 Pedal Installation

• Mounting on the Base Plate

Option 1: Simple Installation

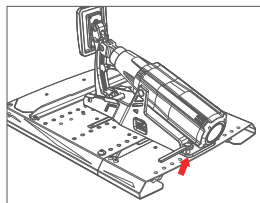
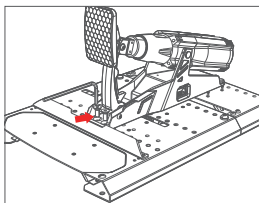
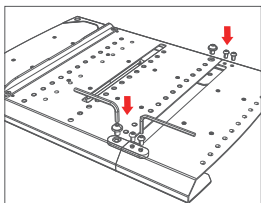
Align the mBooster Active Pedal with the CRP2 base plate and secure it using M8 countersunk screws in the front mounting hole. Insert M8 flat-round head hex screws from underneath through the center hole to complete the attachment.

Note that the mBooster Active Pedal is only compatible with the CRP2 base plate, which is sold separately on the MOZA official website.



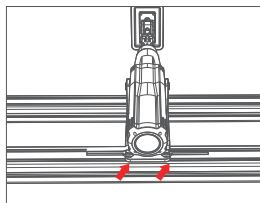
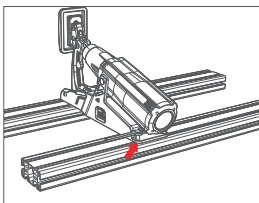
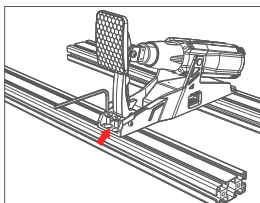
Option 2: Standard Installation

For enhanced stability and a sleeker look, use the mBooster extension base plate. Attach the CRP2 base plate to the extension base plate with the connecting blocks and screws provided. Adjust the pedal's position, then fasten it with M8 countersunk screws at the front and M8 external hex screws at the rear mounting hole.



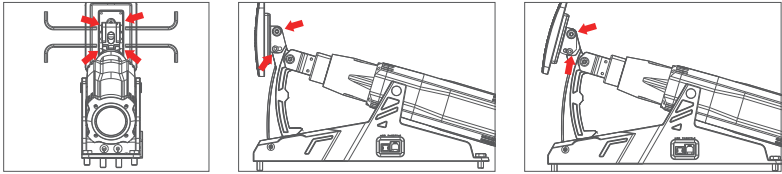
• Mounting on a Cockpit Rig

Adjust the position of the mBooster Active Pedal on the cockpit rig as needed. Secure it to the rig's T-nut using M8 countersunk screws through the front mounting hole, and fasten the rear mounting hole to the rig's T-nut with M8 external hex screws.



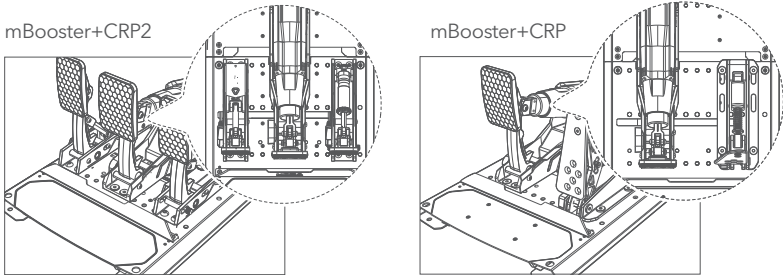
02 Pedal Face Adjustment

Use the two 4mm hex wrenches from the accessory kit to loosen the four screws at the indicated positions (as shown in the image below). Adjust the pedal surface to your desired angle then tighten the screws to secure the pedal in place.



03 Signal Connection and Usage

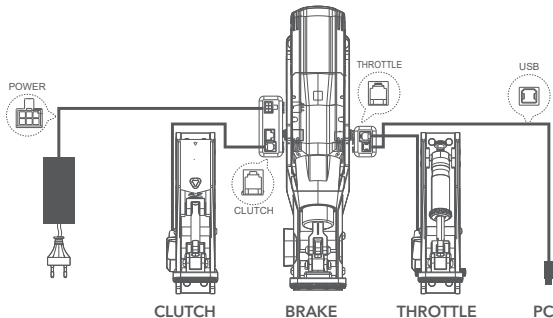
1. Using the mBooster Active Pedal with CRP2/CRP Pedals



Note: The latest CRP2 base plate includes pre-drilled mounting holes for the CRP pedals, which can be used for installation as shown in the diagram.

To pair the mBooster Active Pedal with the CRP2/CRP pedals, follow these steps:

- Connect the mBooster Active Pedal to the PC using the USB cable provided.
- Connect the CRP2/CRP throttle pedal cable to the "THROTTLE" port on the mBooster Active Pedal.
- Connect the CRP2/CRP clutch pedal cable to the "CLUTCH" port on the mBooster Active Pedal.



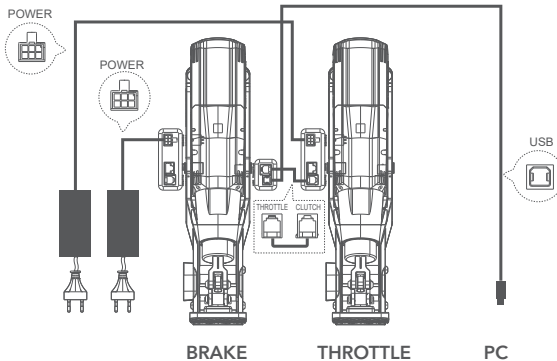
2. Using Multiple mBooster active pedals

Note:

- The MOZA Pit House software defaults the mBooster active pedal connected to the PC via USB as the brake pedal.
- Follow the illustrated signal port connections exactly. Do not connect the same signal port names between two mBooster active pedals, as this will disrupt signal transmission.
- Each mBooster active pedal requires a separate 48V power adapter.

• Dual Pedal Setup:

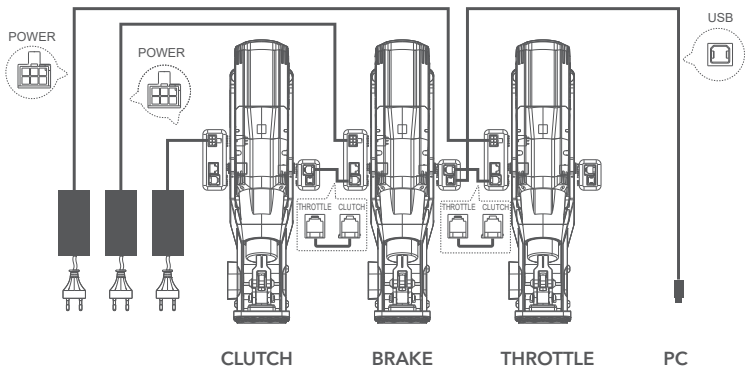
Use the RJ11 cable to connect the two mBooster active pedals as shown. If the throttle pedal is connected to the PC via USB, adjust the pedal mapping in the MOZA Pit House software.



• Triple Pedal Setup

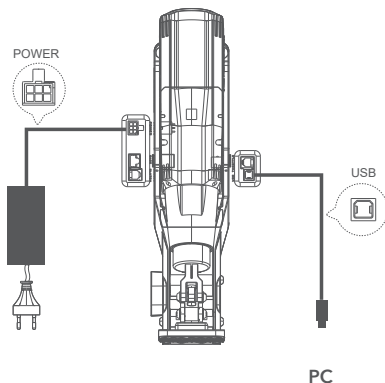
For using three mBooster active pedals, connect the USB cable between the brake pedal and the PC. Follow the port diagram for the other two pedals.

Note: Avoid connecting the same signal port names between two mBooster active pedals, and do not connect additional pedals to the throttle or clutch ports.



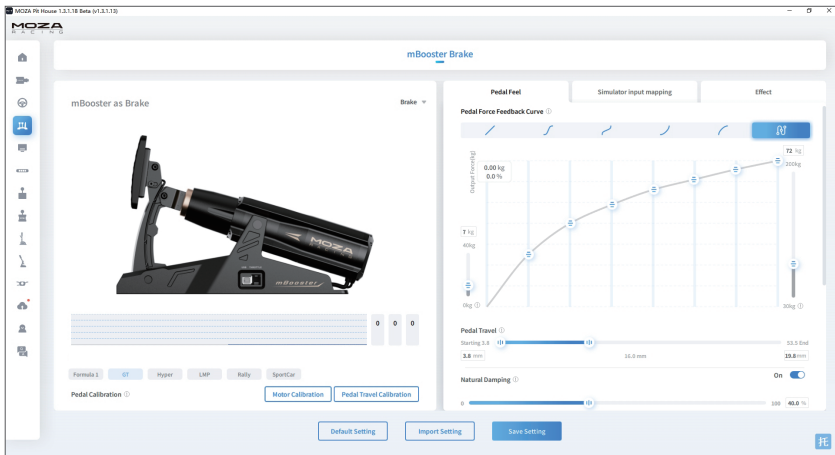
3. Using the mBooster Active Pedal with Third-party Pedals

Connect the mBooster Active Pedal to the PC using the provided USB cable. Third-party pedals must connect directly to the PC, not to the mBooster Active Pedal. Assign the pedal functions manually in the game settings.



04 Pedal Performance Adjustment

Users can customize the mBooster Active Pedal mapping in the MOZA Pit House software to match their individual performance preferences. You have the option to use the official preset for the mBooster Active Pedal, or adjust parameters such as pedal travel and force to your liking. For step-by-step adjustment instructions, please refer to the guide in the MOZA Pit House software.



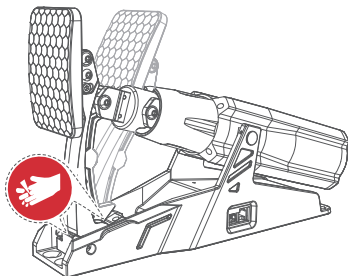
05 Safety Instructions

The device's electric moving parts pose a risk of serious injury.

- When connecting the power cable, ensure the moving parts are clean and can move freely.
- Only healthy adults should operate this device.
- Always keep children and pets away from the device when it is powered on.
- When using the pedals, only make contact with the surface using the balls of your feet, and be prepared for sudden and intense pushing, pulling, or vibration movements.



When power on and during use, do not place your fingers near the rotating part of the pedal to prevent injury



06 Precautions

- Do not expose the device to liquids or humidity as it may cause fire or electric shock.
- Avoid using the device in direct sunlight.
- Recommended indoor temperature: 15°C~35°C.
- For your safety and well-being, please monitor your gaming time and take breaks as needed.
- The device is not suitable for children under the age of 6, small accessories may pose a choking hazard!
- Children under 13 should have adult supervision.
- It is strictly forbidden to disassemble the equipment by yourself, failure to adhere to this will result in loss of warranty.
- The equipment must be connected with the factory-supplied power supply to ensure the electrical safety and the protection of user rights and interests.
- In order to ensure user safety, parts repair or replacement can only be carried out by officially authorized repair centers.
- Non-standard power supplies are strictly prohibited even if data such as related voltages match.
- Use only AC power provided by a standard wall outlet to avoid damage to the product.
- Do not expose the device to heat sources.
- Unplug the power cord of the device if it will not be used for a long time.
- If you find any abnormality, please stop using it immediately and seek help from MOZA representatives or authorized repair centers.
- Stay tuned to our official website and social media platforms for the latest product updates.



This product use is limited to activities related to simulated driving, please distinguish between simulated games and reality to ensure safe driving.

07 Product Instruction

Pedal Body Material: Aluminum Alloy

Pressure Sensor Range: 0-200kg

Brake Sensor: Load Cell Sensor and Angle Sensor

Angle Sensor Resolution: 15-bit (32768 PPR)

Peak Power: 270W

Input Voltage: 110V-220V AC → 48V DC

Pedal Travel Adjustment: 0-25°

Pedal Angle Adjustment: 0-15°

Pedal Curve Adjustment: Adjustable

Real-time Pedal Output Display: Adjustable

Pedal Pressure Engagement Point: Adjustable

Pedal Surface: Biomimetic curved

08 Additional Notes

- This product has high force feedback intensity and small parts. Children should not use it without adult supervision.
- Keep the device away from loose clothing and objects that could become entangled, such as hair, cables, skirts, etc.
- The MOZA mBooster Active Pedal is ready to use straight out of the box, equipped with the latest firmware. For details on software updates, please visit the MOZA website.
- This manual is intended for demonstration purposes only and should not be used for marketing. It provides a general description of a single product (including related series products). Please refer to the actual product upon purchase.
- The product images and content above are for demonstration purposes only. The actual product's external design (including but not limited to appearance, color, and size) and content display (including but not limited to background, UI, and images) may vary slightly. Please refer to the actual product for reference.
- The test data above is based on MOZA's test lab. Due to varying usage conditions and environmental factors, actual performance may differ.
- The above content, such as descriptions and images, may be subject to changes. MOZA reserves the right to adjust content based on the actual product's performance and specifications to provide more accurate information. Due to unforeseen issues during bulk handling or delivery, product availability may fluctuate. In such cases, MOZA may modify related descriptions and images without prior notice. Please consult official channels for the latest updates.

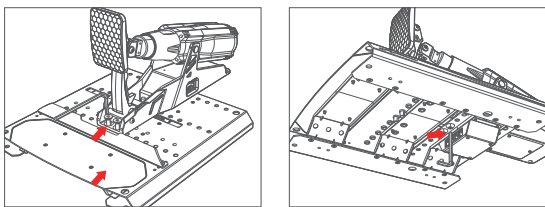
01 踏板安装

· 安装在底板上

安装方式一：

在CRP2底板上调整好mBooster的位置后，使用配件中的M8沉头螺丝，通过前端固定孔与底板连接，使用M8平圆头六角螺丝，从底板中间的通孔，由底部向上穿过底板与mBooster连接

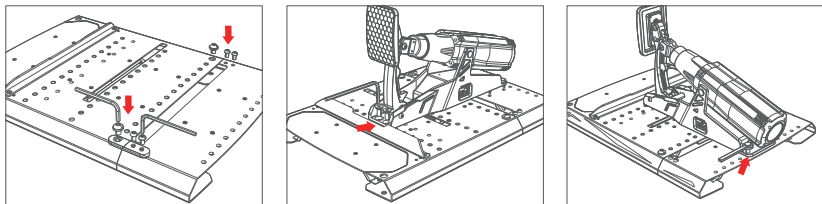
备注：mBooster只适配安装CRP2底板，底板可以在MOZA商城单独购买



安装方式二：

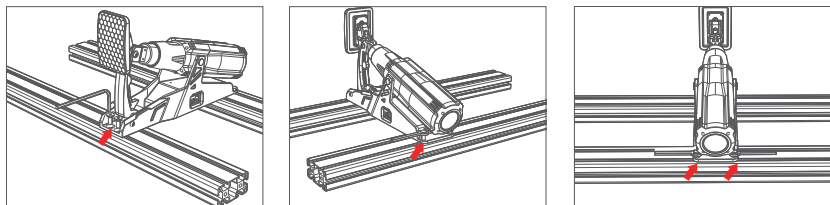
为了保证安装的稳固性和美观性，建议使用mBooster延长底板进行安装。

使用mBooster延长底板配件中的连接块和固定螺丝，将CRP2底板与mBooster延长底板连接。调整好mBooster的位置后，使用配件中的M8沉头螺丝，通过前端固定孔与底板连接，使用M8外六角螺丝，通过后端固定孔与底板连接



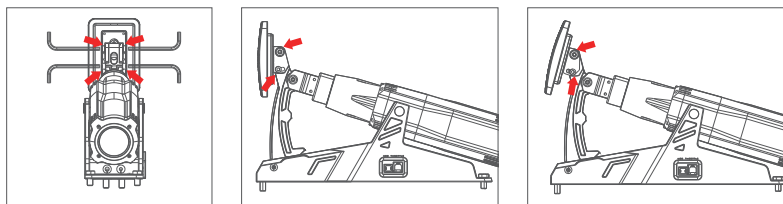
· 安装在型材支架上

调整好mBooster的位置后，使用配件中的M8沉头螺丝，通过前端固定孔与型材T型螺母连接，使用M8外六角螺丝，通过后端固定孔与型材T型螺母连接



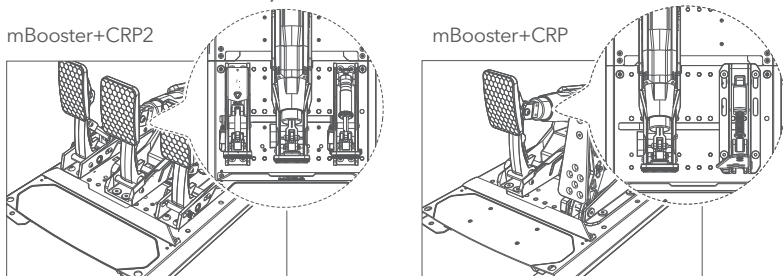
02 踏板面角度调节

使用配件包中的两个4mm六角扳手拧松图示位置的4颗螺丝，将踏板面调节合适的角度，然后拧紧固定



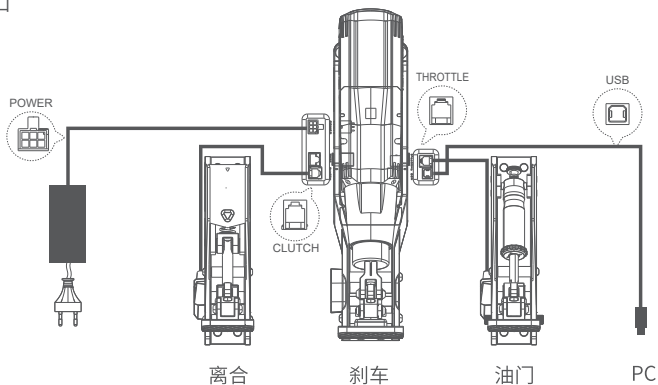
03 使用搭配及信号线连接方式

1. mBooster作为刹车与CRP2/CRP搭配使用



备注:最新的CRP2底板上已预留CRP踏板安装孔位,可参考图示安装使用

如图所示,使用配件中的USB数据线连接mBooster和PC,CRP2/CRP油门踏板信号线连接到mBooster的“THROTTLE”信号接口;RP2/CRP离合踏板信号线连接到mBooster的“CLUTCH”信号接口



2. 多台mBooster搭配使用

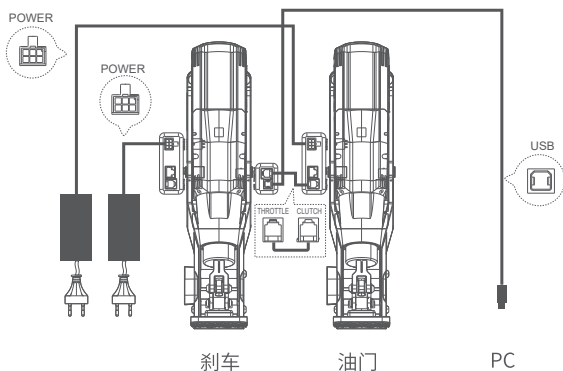
注意：

- Pithouse中默认识别与PC直接连接的mBooster为“刹车踏板”
- 请严格按照图示信号接口进行连接，两台mBooster之间不能直接连接相同名称的信号接口，否则信号将无法传输
- 每台mBooster都需要使用原厂48V电源适配器单独供电

· 双踏板使用

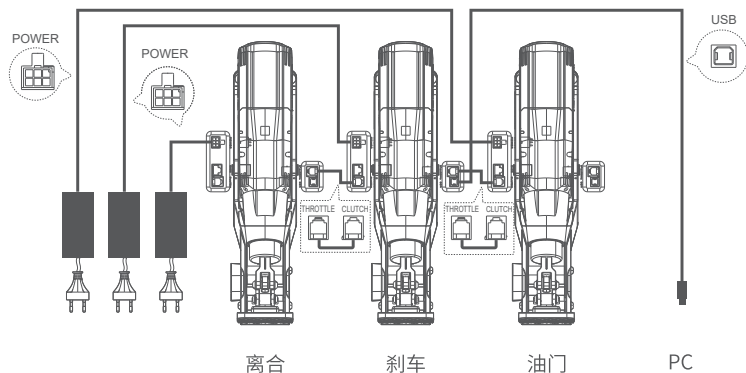
使用附件中的RJ11信号线，按照图示信号接口连接方式连接两个踏板。

如果USB信号线连接油门踏板和PC，需要在Pithouse中修改相应的踏板映射



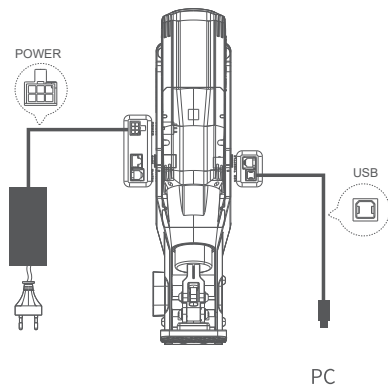
· 三踏板使用

三踏板使用时，USB信号必须连接刹车踏板和PC，其他两个踏板的信号严格按照图示接口进行连接。注意：不能连接两台mBooster之间同名称的信号接口；不能在油门/离合踏板两侧再接入其他踏板



3.mBooster与第三方踏板搭配使用

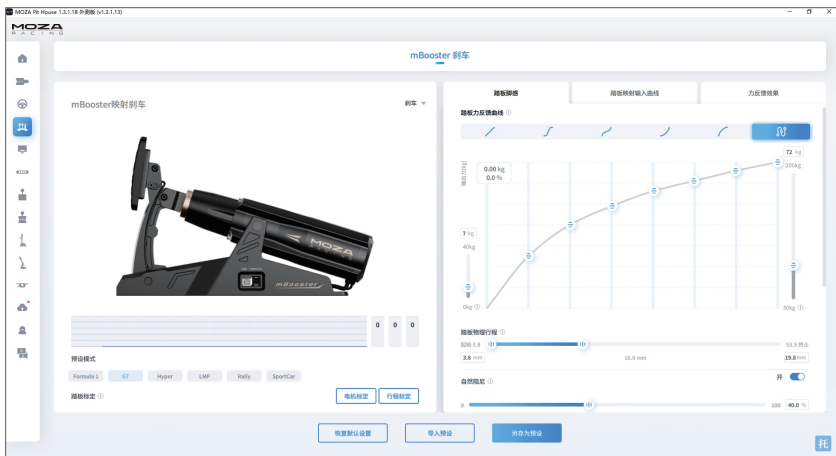
使用配件中的USB信号线连接mBooster和PC，第三方踏板也直接连接到PC，不能连接到mBooster! 并在游戏中手动适配各踏板功能



04 踏板性能调节

用户可以根据自己的实际使用情况，在pithouse中更改mBooster踏板映射

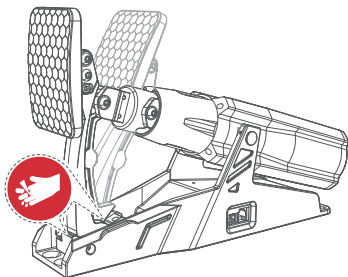
用户可以使用mBooster踏板性能的官方预设，也可以根据个人喜好，在pithouse中调整踏板行程、力度等参数。具体调节方法请参考Pithouse中的指引



05 使用安全说明

- 设备的电动运动部件可能会造成严重伤害。
- 插入电源线时,保持活动部件清洁,可以自由移动。
- 只有身体健康的成年人才能操作该设备。始终保持儿童和宠物远离设备
- 通电时,仅用脚掌接触踏板表面,并为突然和强烈的推、拉或振动动作做好准备

⚠ 通电及使用过程中,请勿将手指靠近踏板旋转部位,防止夹伤



06 注意事项

- 严禁将设备暴露在雨水以及潮湿的环境中,以避免发生火灾/电击
- 严禁在太阳直射的条件下使用设备
- 建议室内温度:15°C ~ 35°C
- 为了您的健康,请合理控制游戏时间
- 设备不适用于6岁以下儿童,小配件可能造成窒息的危险!
- 13岁以下孩童需在家长陪同下使用
- 严禁自行拆解设备,否则将失去质保资格
- 设备必须使用配套出厂的电源进行连接,以保障用电安全及用户权益得到保障
- 为保障相关安全,零部件维修或者更换只能由官方授权维修中心进行
- 即使相关电压等数据匹配,亦禁止使用非标准电源
- 只能使用标准壁式电源插座提供的交流电源以避免对产品造成损坏
- 禁止将设备暴露在热源中
- 长期不使用的情况下,请拔出设备电源线断电
- 如发现有任何异常,请立即停止使用并寻求 MOZA 官方或相关授权中心的帮助
- 请关注 MOZA 官网及公众平台以了解最新的相关产品信息

⚠ 本产品仅限于模拟驾驶相关活动,请区别模拟游戏与现实,安全驾驶。

07 规格表

主体结构材质:铝合金

压力传感器量程:0-200kg

刹车感应方式:压力传感器和角度传感器融合

角度传感器分辨率:15Bit (32768PPR)

最大功率:270W

输入电压:110V~220V AC →48V DC

踏板行程调节范围:0~25°

踏板面角度调节范围:0~15°

踏板曲线调节:可调

踏板输出实时显示:可调

踏板压力介入点调节:可调

踏板面:仿生弯曲

08 补充说明

- 本产品力反馈强度高,零件小。儿童在没有父母指导的情况下禁止使用
- 应远离宽松的衣物和容易缠绕的物体,比如头发、电缆、裙子等
- MOZA mBooster开箱后即可使用。固件在出厂时会更新到最新版本。更多关于软件更新的信息,请访问MOZA网站
- 本说明书仅供演示用途,不能作为市场推广用途。它是一个单一产品的一般说明(包括相关的系列产品)。购买时请以实物为准
- 以上产品图片及内容仅供演示之用。实际产品的外部设计可能略有不同(包括但不限于外观、颜色、大小)和内容显示(包括但不限于背景、UI、图片)。请检查实际产品供参考
- 以上测试数据均来自MOZA测试实验室,由于使用条件和环境原因,可能无法反映实际性能的因素
- 以上内容,如描述、图片等,可能会有更改。MOZA可能会根据实际产品的性能和规格来调整相关内容,以提供更准确的产品信息。由于在批量处理或交付过程中出现不可预见的问题,产品供应可能会发生波动。在这种情况下,MOZA可能会改变相关说明和图片,如有需要恕不另行通知,请通过官方渠道了解相关信息

产品保修卡

产品型号		购买日期	
用户姓名		用户电话	
产品条码		通讯地址	

经销商信息(签章)

产品保修条例

保修期

自购机日起, 基座主体, 方向盘, 踏板和仪表显示屏保修12个月。设备外壳、说明书、线材、螺丝、扳手、包装等不在"一年免费保修服务"范围内, 但您可以选择有偿服务。

购买者在以下条件下不享受免费保修服务, 但您可以选择有偿服务。

1. 超过三包有效期的；
2. 无三包凭证及有效发票的, 但能够证明该产品在三包有效期内的除外；
3. 包修凭证上的型号与修理产品型号不符或者涂改的；
4. 非本公司特约维修人员拆动造成损坏的；
5. 因不可抗力造成损坏的；
6. 未按产品使用说明书要求使用、维护、保养而造成损坏的。

保修期限鉴于产品部位、不同国家法律法规等差异, 将有所不同。相关国家与区域的保修期限, 请咨询MOZA官方或购买时联系的MOZA授权经销商。



MOZA

R A C I N G

Manufacturer: Shenzhen Gudsen Technology Co., Ltd
Address: Room 1903-1904, Building 3, Nanshan
ZhiyuanChongwen Park, No. 3370 Liuxian Avenue,
Nanshan District, Shenzhen China
Web: www.mozaracing.com
E-mail: info@mozaracing.com
Made in China