



## mBooster Active Pedal



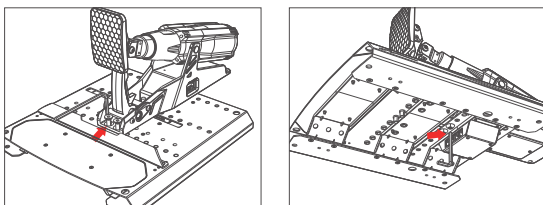
## 01 Pedal Installation

### • Mounting on the Base Plate

#### Option 1: Standard Installation

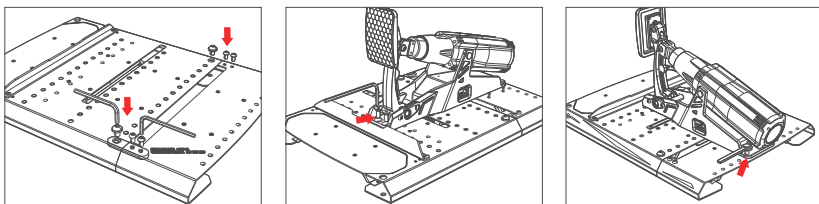
Align the mBooster Active Pedal with the CRP2 base plate and secure it using M8 countersunk screws in the front mounting hole. Insert M8 flat-round head hex screws from underneath through the center hole to complete the attachment.

Note that the mBooster Active Pedal is only compatible with the CRP2 base plate, which is sold separately on the MOZA official website.



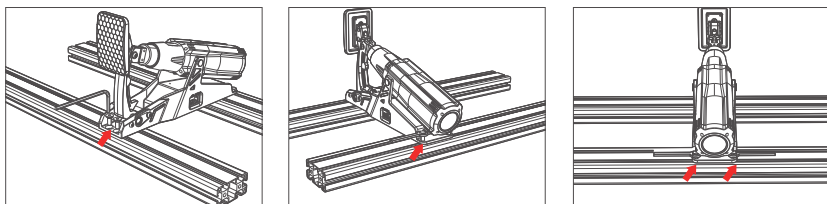
#### Option 2: Enhanced Stability with Extension Base Plate

For enhanced stability and a sleeker look, use the mBooster extension base plate. Attach the CRP2 base plate to the extension base plate with the connecting blocks and screws provided. Adjust the pedal's position, then fasten it with M8 countersunk screws at the front and M8 external hex screws at the rear mounting hole.



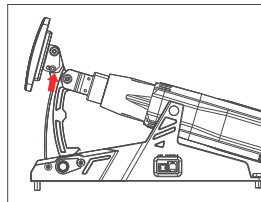
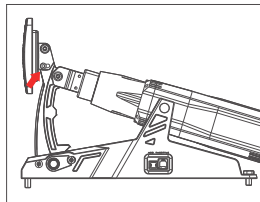
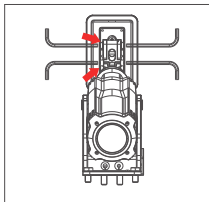
### • Mounting on a Cockpit Rig

Adjust the position of the mBooster Active Pedal on the cockpit rig as needed. Secure it to the rig's T-nut using M8 countersunk screws through the front mounting hole, and fasten the rear mounting hole to the rig's T-nut with M8 external hex screws.



## 02 Pedal Face Adjustment

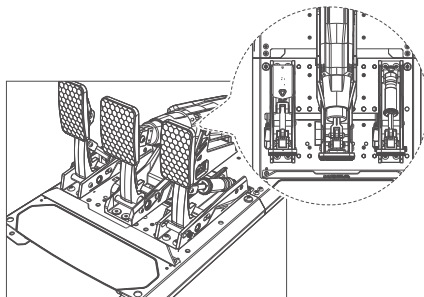
Use the two 4mm hex wrenches from the accessory kit to loosen the two screws at the indicated positions (as shown in the image below). Adjust the pedal surface to your desired angle then tighten the screws to secure the pedal in place.



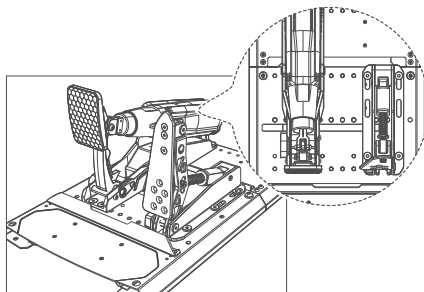
## 03 Signal Connection and Usage

### 1. Using the mBooster Active Pedal with CRP2/CRP Pedals

mBooster+CRP2



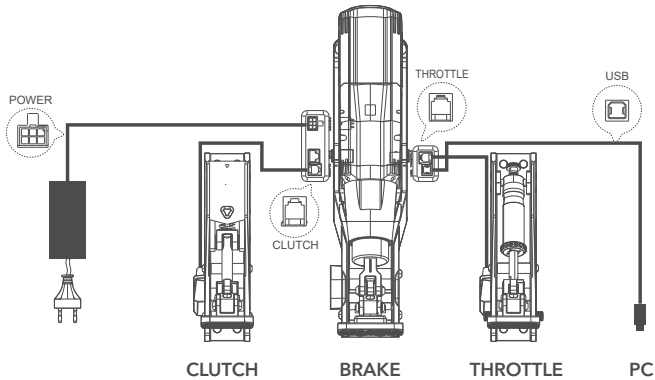
mBooster+CRP



**Note:** The latest CRP2 base plate includes pre-drilled mounting holes for the CRP pedals, which can be used for installation as shown in the diagram.

To pair the mBooster Active Pedal with the CRP2/CRP pedals, follow these steps:

- Connect the mBooster Active Pedal to the PC using the USB cable provided.
- Connect the CRP2/CRP throttle pedal cable to the "THROTTLE" port on the mBooster Active Pedal.
- Connect the CRP2/CRP clutch pedal cable to the "CLUTCH" port on the mBooster Active Pedal.



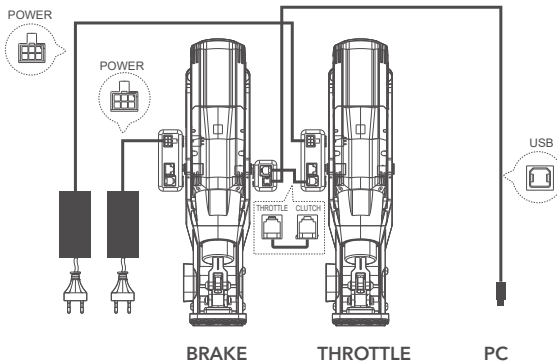
## 2. Using Multiple mBooster active pedals

### Note:

- The MOZA Pit House software defaults the mBooster active pedal connected to the PC via USB as the brake pedal.
- Follow the illustrated signal port connections exactly. Do not connect the same signal port names between two mBooster active pedals, as this will disrupt signal transmission.
- Each mBooster active pedal requires a separate 48V power adapter.

### • Dual Pedal Setup:

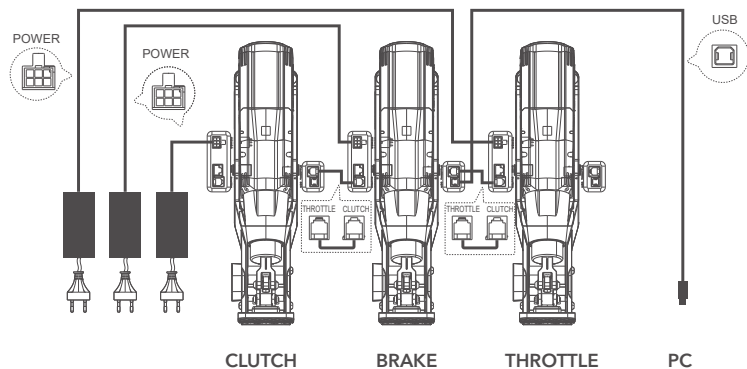
Use the RJ11 cable to connect the two mBooster active pedals as shown. If the throttle pedal is connected to the PC via USB, adjust the pedal mapping in the MOZA Pit House software.



### • Triple Pedal Setup

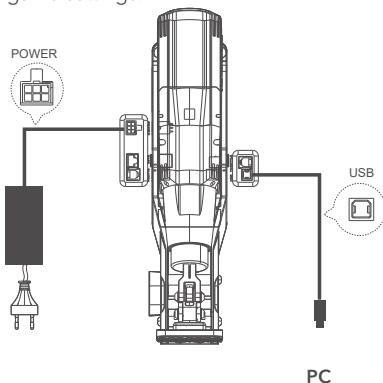
For using three mBooster active pedals, connect the USB cable between the brake pedal and the PC. Follow the port diagram for the other two pedals.

Note: Avoid connecting the same signal port names between two mBooster active pedals, and do not connect additional pedals to the throttle or clutch ports.



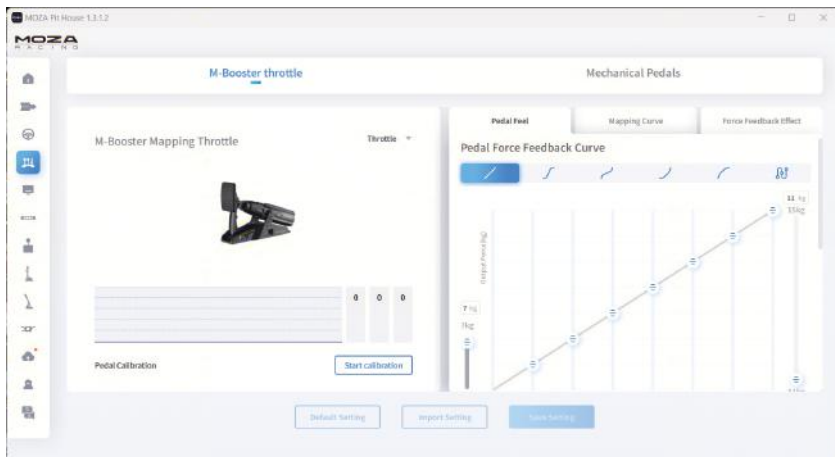
### 3. Using the mBooster Active Pedal with Third-party Pedals

Connect the mBooster Active Pedal to the PC using the provided USB cable. Third-party pedals must connect directly to the PC, not to the mBooster Active Pedal. Assign the pedal functions manually in the game settings.



## 04 Pedal Performance Adjustment

Users can customize the mBooster Active Pedal mapping in the MOZA Pit House software to match their individual performance preferences. You have the option to use the official preset for the mBooster Active Pedal, or adjust parameters such as pedal travel and force to your liking. For step-by-step adjustment instructions, please refer to the guide in the MOZA Pit House software.



## 05 Safety Instructions

The device's electric moving parts pose a risk of serious injury.

- When connecting the power cable, ensure the moving parts are clean and can move freely.
- Only healthy adults should operate this device.
- Always keep children and pets away from the device when it is powered on.
- When using the pedals, only make contact with the surface using the balls of your feet, and be prepared for sudden and intense pushing, pulling, or vibration movements.

## 06 Precautions

- Do not expose the device to liquids or humidity as it may cause fire or electric shock.
- Avoid using the device in direct sunlight.
- Recommended indoor temperature: 15°C~35°C.
- For your safety and well-being, please monitor your gaming time and take breaks as needed.
- The device is not suitable for children under the age of 6, small accessories may pose a choking hazard!
- Children under 13 should have adult supervision.
- It is strictly forbidden to disassemble the equipment by yourself, failure to adhere to this will result in loss of warranty.
- The equipment must be connected with the factory-supplied power supply to ensure the electrical safety and the protection of user rights and interests.
- In order to ensure user safety, parts repair or replacement can only be carried out by officially authorized repair centers.

- Non-standard power supplies are strictly prohibited even if data such as related voltages match.
- Use only AC power provided by a standard wall outlet to avoid damage to the product.
- Do not expose the device to heat sources.
- Unplug the power cord of the device if it will not be used for a long time.
- If you find any abnormality, please stop using it immediately and seek help from MOZA representatives or authorized repair centers.
- Stay tuned to our official website and social media platforms for the latest product updates.



This product use is limited to activities related to simulated driving, please distinguish between simulated games and reality to ensure safe driving.

## 07 Product Instruction

Pedal Body Material: Aluminum Alloy

Pressure Sensor Range: 0-200kg

Brake Sensor: Load Cell Sensor and Angle Sensor

Angle Sensor Resolution: 15-bit (32768 PPR)

Peak Power: 270W

Input Voltage: 110V-220V AC → 48V DC

Pedal Travel Adjustment: 0-25°

Pedal Angle Adjustment: 0-15°

Pedal Curve Adjustment: Adjustable

Real-time Pedal Output Display: Adjustable

Pedal Pressure Engagement Point: Adjustable

Pedal Surface: Biomimetic curved

## 08 Additional Notes

- This product has high force feedback intensity and small parts. Children should not use it without adult supervision.
- Keep the device away from loose clothing and objects that could become entangled, such as hair, cables, skirts, etc.
- The MOZA mBooster Active Pedal is ready to use straight out of the box, equipped with the latest firmware. For details on software updates, please visit the MOZA website.
- This manual is intended for demonstration purposes only and should not be used for marketing. It provides a general description of a single product (including related series products). Please refer to the actual product upon purchase.
- The product images and content above are for demonstration purposes only. The actual product's external design (including but not limited to appearance, color, and size) and content display (including but not limited to background, UI, and images) may vary slightly. Please refer to the actual product for reference.
- The test data above is based on MOZA's test lab. Due to varying usage conditions and environmental factors, actual performance may differ.
- The above content, such as descriptions and images, may be subject to changes. MOZA reserves the right to adjust content based on the actual product's performance and specifications to provide more accurate information. Due to unforeseen issues during bulk handling or delivery, product availability may fluctuate. In such cases, MOZA may modify related descriptions and images without prior notice. Please consult official channels for the latest updates.