

正面



## SGP Sequential Shifter User Guide

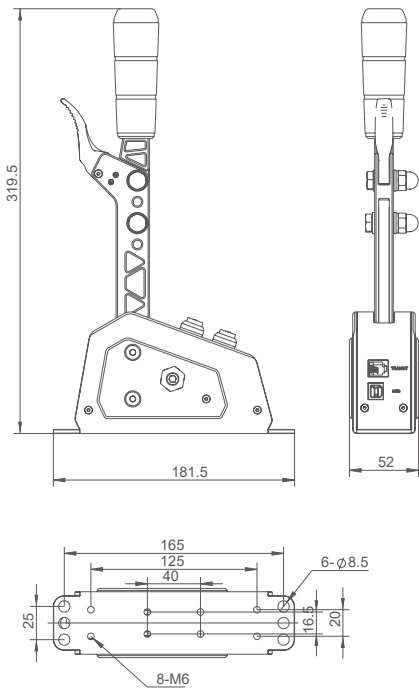


Quick Guide

### 01 Product Features

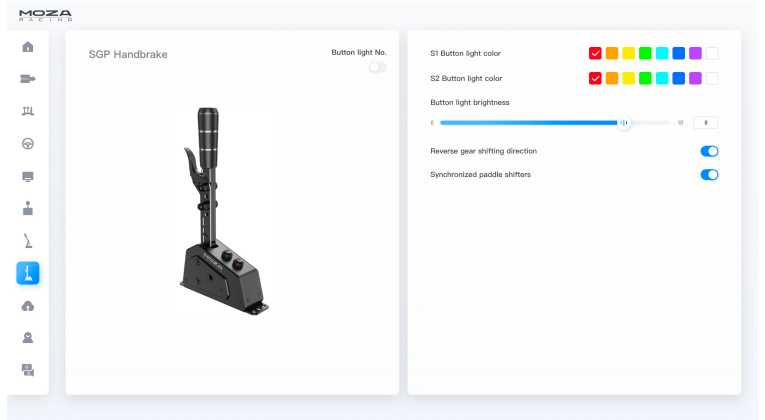
- Dual-mode multi-angle adjustment
- Crafted from aviation-grade aluminum alloy
- Equipped with a high-precision Hall sensor
- Multi-function Handle
- Replaceable Shifter Knob
- RGB mechanical buttons

### 02 Dimensions



### 03 SGP Sequential Shifter Instructions

1. Fix the shifter handle to the lever and tighten it securely.
2. Attach the sequential shifter to the simulator stand or secure it to the desktop using the desktop clamp.
3. Connect the sequential shifter to your computer using the included USB Type-B to Type-A data cable. Alternatively, MOZA base with a shifter port can use the included RJ11 cable instead.
4. Open MOZA Pit House, navigate to the illustrated sequential shifter page and ensure that the device is correctly connected and that all inputs are signalling correctly.



### 04 Package Contents

- Sequential shifter
- Shifter handle
- USB Type-B to Type-A data cable
- RJ11 data cable
- M6 screws and M6 washers
- Hex wrench
- External hex wrench

### 05 Product Specifications

- Connection options: PC, compatible MOZA bases, MOZA hub
- Materials: Aluminum alloy & high-strength steel
- Dimensions: 181.5 x 52 x 319.5 mm
- Mounting Holes: M6 threaded holes/M8 through holes
- Net Weight: 1.7 Kg

背面



## SGP序列档使用说明

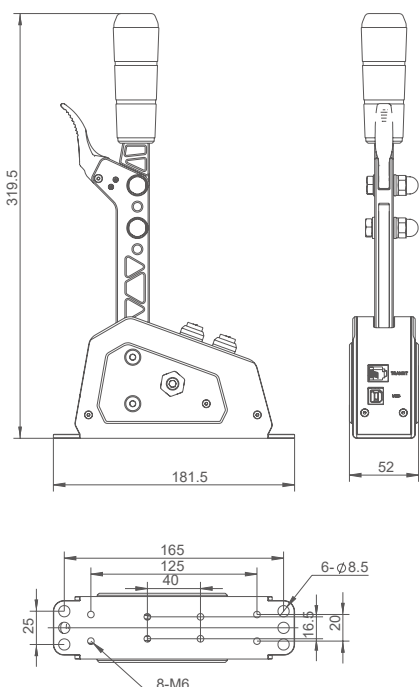


售后服务

### 01 产品介绍

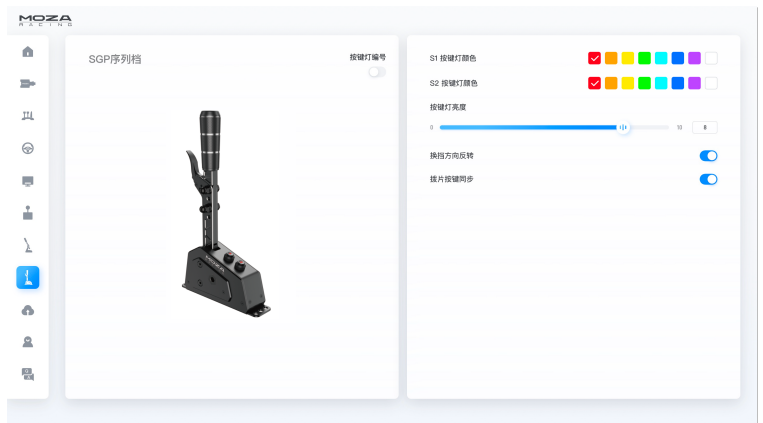
- 双模式多角度可调
- 航空级铝合金
- 高精度霍尔传感器
- 多功能拉手
- 换挡头可更换设计
- RGB机械式按键

### 02 产品尺寸和固定孔位图



### 03 使用教程

1. 将手柄把旋入连接杆并拧紧
2. 将序列档固定在模拟器支架上或使用桌面夹固定在桌面上
3. 使用包装内的USB Type-B转Type-A数据线连接序列档和电脑上的USB口; (包装内的RJ11线可以连接带序列档接口的MOZA底座)
4. 打开MOZA Pit House, 进入图示的序列档页面, 确认设备是否正常连接以及各个档位是否信号正常



### 04 包装清单

- 序列档
- 手柄握把
- USB Type-B转Type-A数据线
- RJ11数据线
- M6螺钉及M6垫片
- 六角扳手
- 外六角扳手

### 05 产品参数

- USB连接类型: PC、转接器、MOZA底座
- 材质: 铝合金&高强度钢
- 尺寸规格: 181.5\*52\*319.5 mm
- 安装孔: M6螺孔/M8通孔
- 净重: 1.7Kg



尺寸: 185\*170mm

材质: 80g书写纸 (双面黑白印刷 对折)