

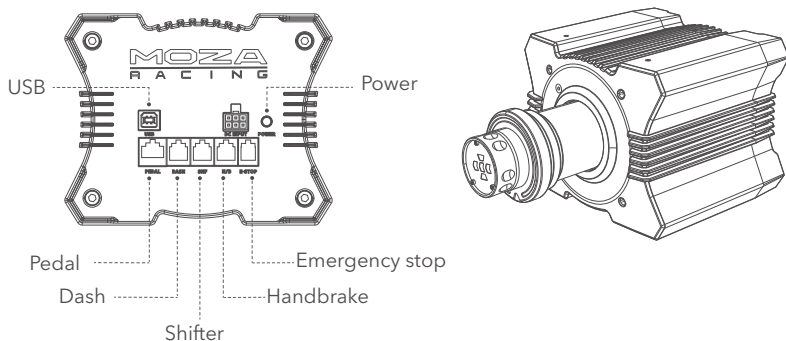
R12 Direct Drive Wheel Base



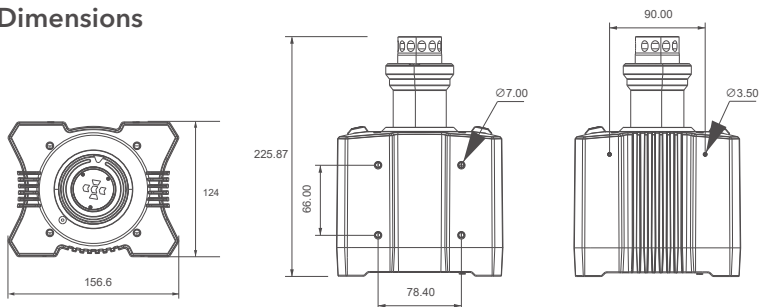
01 Product Introduction

- Peak Torque: 12 N·m
- Professional Direct Drive System
- Lightweight Design
- Ultra-low Static Torque
- Aviation-grade Aluminum Alloy Body
- Intelligent Temperature Control
- Moza Pit House Control Suite
- Mobile APP Cloud Control

02 Base Connection Ports



03 Dimensions

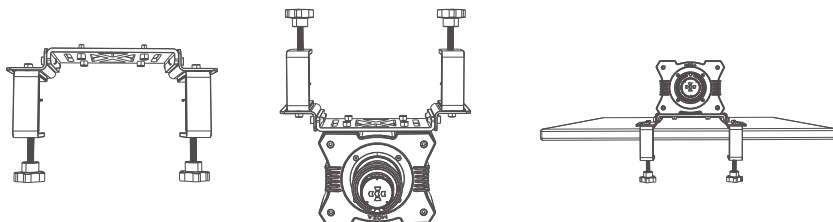


04 Base Installation Guide

1. Attach the base to the mounting bracket using the 4 screw holes on the bottom.
2. Connect the power connector and type-B USB connector to the corresponding ports on the rear of the R12, plug the PSU into a power socket and connect the type-A USB connector to the PC.
3. Short press the power button on the rear of the base to turn it on.
4. Download and install the latest version of the MOZA Pit House software from the Help Center of the MOZA Racing official website (www.mozaracing.com) to start your racing journey.
5. For more information and instructional videos, please visit our official website at www.mozaracing.com

05 Desk Clamp Installation Guide

Align the 4 holes on the base and clamp and use the 4 supplied screws to attach them both securely. Place the clamp and base into position on the desk and fully tighten the knobs until the base is secure enough to prevent movement during use.



06 Precautions

To ensure safe and proper use of this device, please follow these guidelines:

- Do not expose the device to liquids or humidity as it may cause fire or electric shock.
- Avoid using the device in direct sunlight.
- Keep the indoor temperature between 15°C ~ 35°C for optimal performance.
- For your safety and well-being, please monitor your gaming time and take breaks as needed.
- This device is not suitable for children under 6 years old due to small accessories that may pose a choking hazard. Children under 13 must be accompanied by their parents while using this device.
- Do not disassemble the equipment yourself as doing so will void your warranty.
- Connect only with factory-equipped power supply to ensure safe electricity usage and protect user rights and interests.
- Parts repair or replacement can only be carried out by officially authorized repair centers

to maintain safety standards.

- The use of non-standard power supplies is prohibited even if the relevant voltage and other data match.
- Exposure of the equipment to heat sources is prohibited.
- Unplug the unit from the power cord and disconnect it if it is not to be used for a long period of time.
- If you observe any abnormalities, please stop using it immediately and seek assistance from MOZA officials or the authorized center relevant to your concern.
- Stay tuned to the MOZA website and public platform for the latest product information.

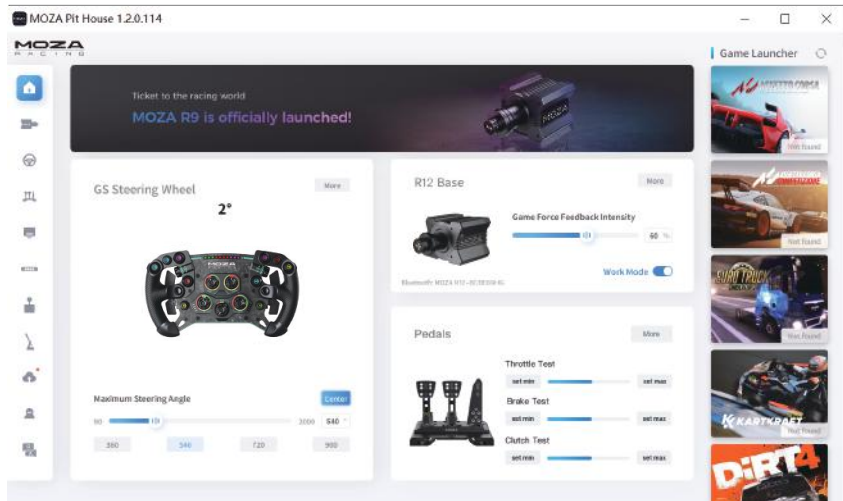
⚠ This product use is limited to activities related to simulated driving, please distinguish between simulated games and reality to ensure safe driving

07 Packing List

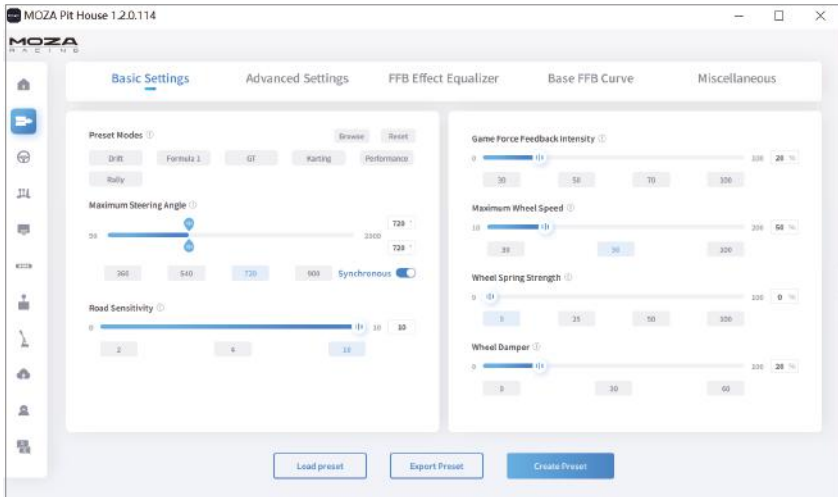
- Wheelbase
- Power Adapter
- Power Cable
- USB Cable
- Tool Kit
- Dust Bag
- MOZA Stickers

08 Software Introduction

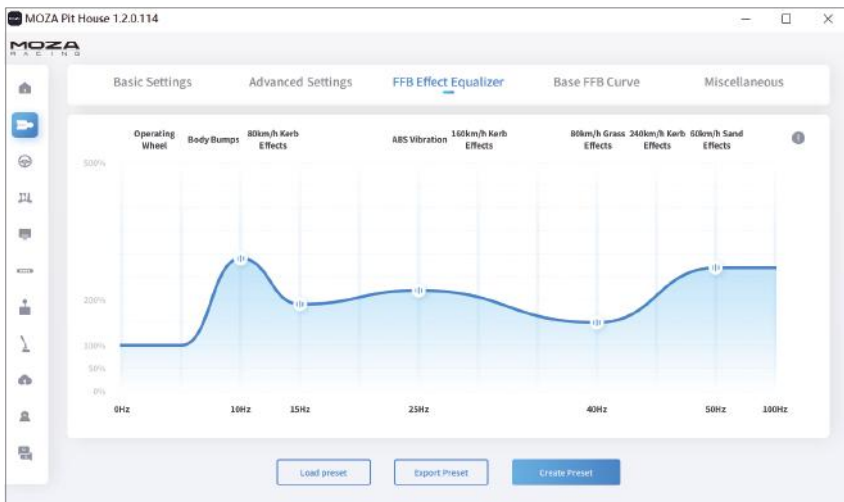
On the main page, you can view the working status of each connected device, set the wheelbase, force feedback, pedals, steering wheels and digital dashes, etc., and you can quickly start the game.



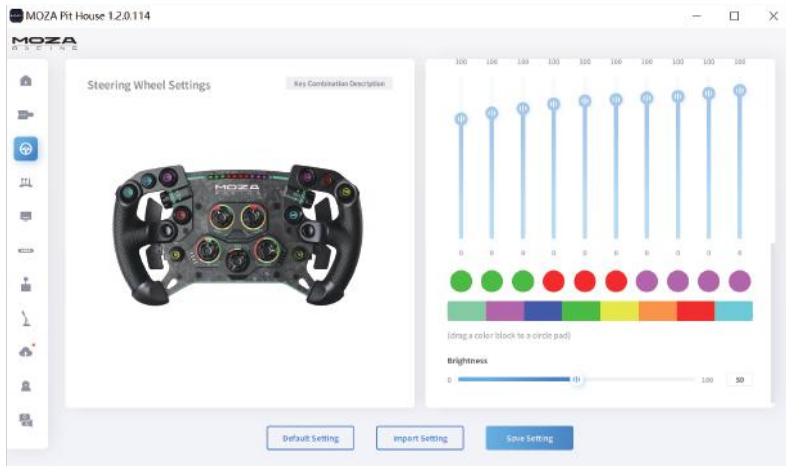
With both click and go presets to fully customizable advanced tuning, everyone from beginners to pro drivers can easily find that perfect setup.



MOZA's FFB equalizer allows full customization and fine-tuning of the FFB effects spectrum for a perfect setup for all track conditions.



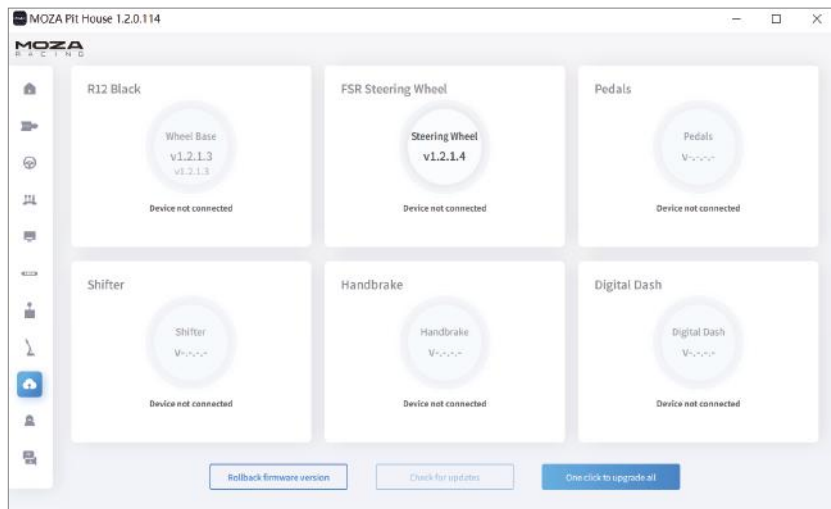
Full customization of the shift indicator LEDs is available in the control center. Timing, color and shift modes can all be adjusted to suit every car and setup.



We offer a range of pedal output curves to cater to individual preferences.



One click updates the MOZA Racing ecosystem, enjoy the latest features with ease.



* For more detailed instructions, please visit the MOZA website (www.mozaracing.com) and download the user manual from our help center page.

09 Specification

Platform: PC

USB Refresh Rate: 1000 Hz

Drive Type: Direct Drive

App Function: Supported

Max Wheel Rotation: Limitless

Quick Release: Supported

Housing Material: Aviation-grade Aluminum Alloy

Color: Black

Peak Torque: 12Nm

Input Voltage: 110v-220v AC →36V DC

Mounting Method: 4 holes bottom mount

Firmware Online Update Function: Supported

Desk Clamp: Optional

Accessories: Manual, warranty card, power supply, USB cable, tool kit

10 Additional Notes

- This product has high force feedback strength and small parts. Children are prohibited from using it without adult guidance.
- Please keep the product away from loose clothing and easily entangled objects, such as hair, cables, or skirts.
- The MOZA R12 comes ready to use straight out of the box with the latest firmware already installed. For more information on software updates, please visit our website.
- This manual is intended for demonstration purposes only and should not be used for marketing. It provides a general overview of a single product, including related product series. Please refer to the actual product when making a purchase.
- The product images and content above are for demonstration purposes and may not precisely match the external design (including but not limited to appearance, color, size) and content display (including but not limited to background, UI, pictures) of the actual product. Please refer to the actual product for accurate information.
- The above test data are all from the MOZA test laboratory and may not reflect the actual performance factors due to usage conditions and environmental reasons.
- The information provided such as descriptions and images, is subject to change. MOZA may update the content to better reflect the performance and specifications of the actual product, ensuring more accurate information. Product availability may vary due to unforeseen issues during batch processing or delivery. In such cases, MOZA reserves the right to modify the descriptions and images as needed without prior notice. For the most up-to-date information, please refer to official channels.